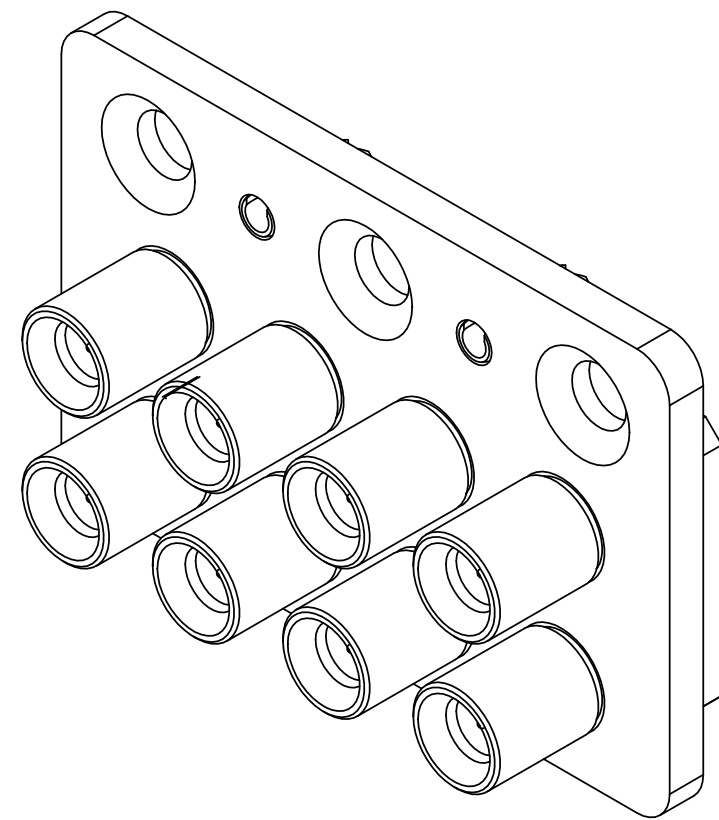
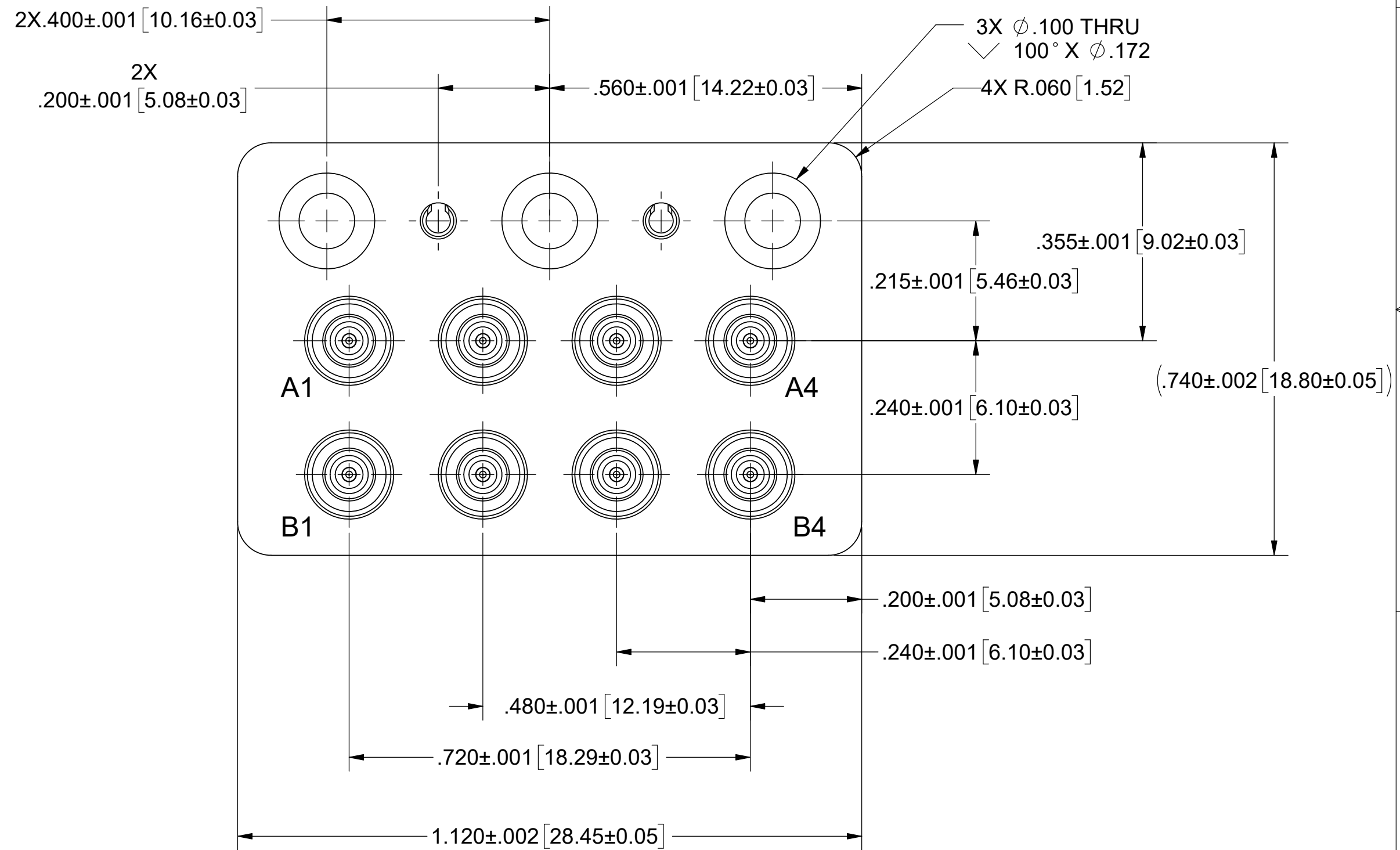
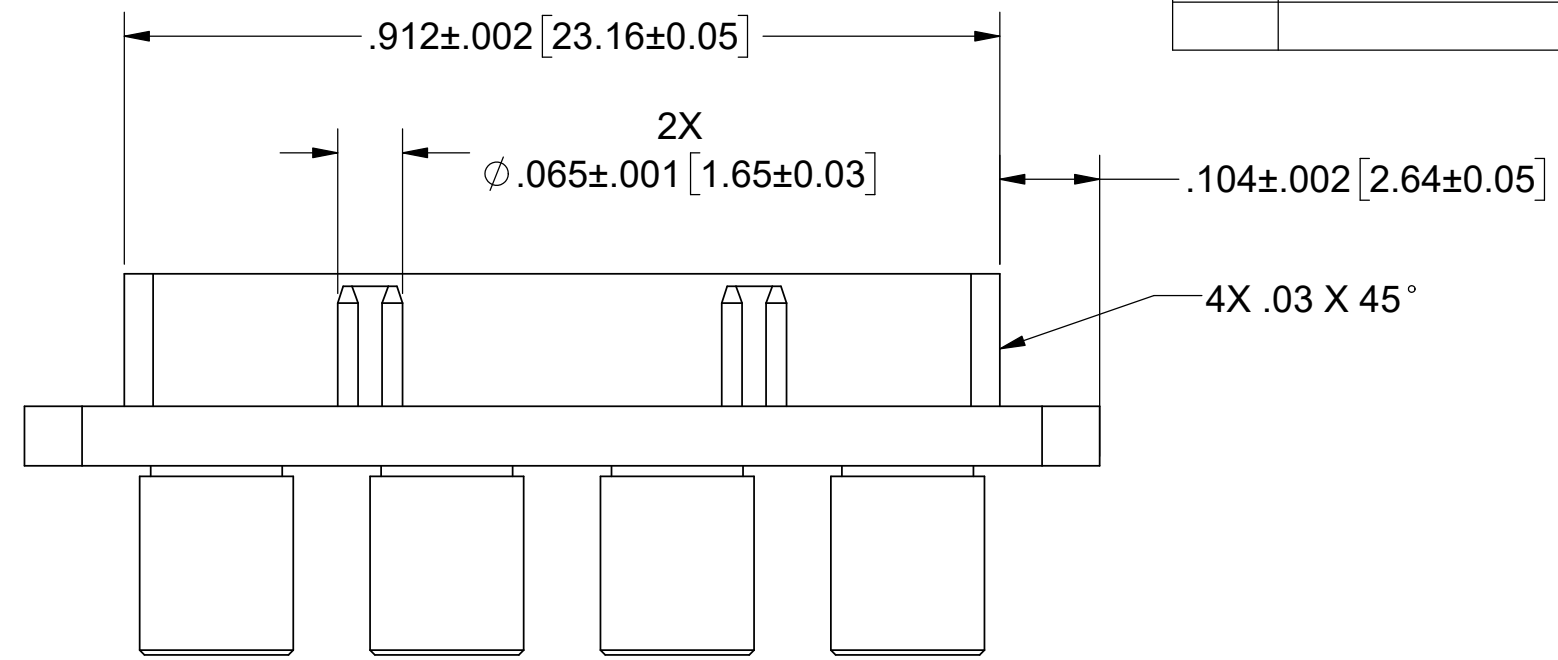
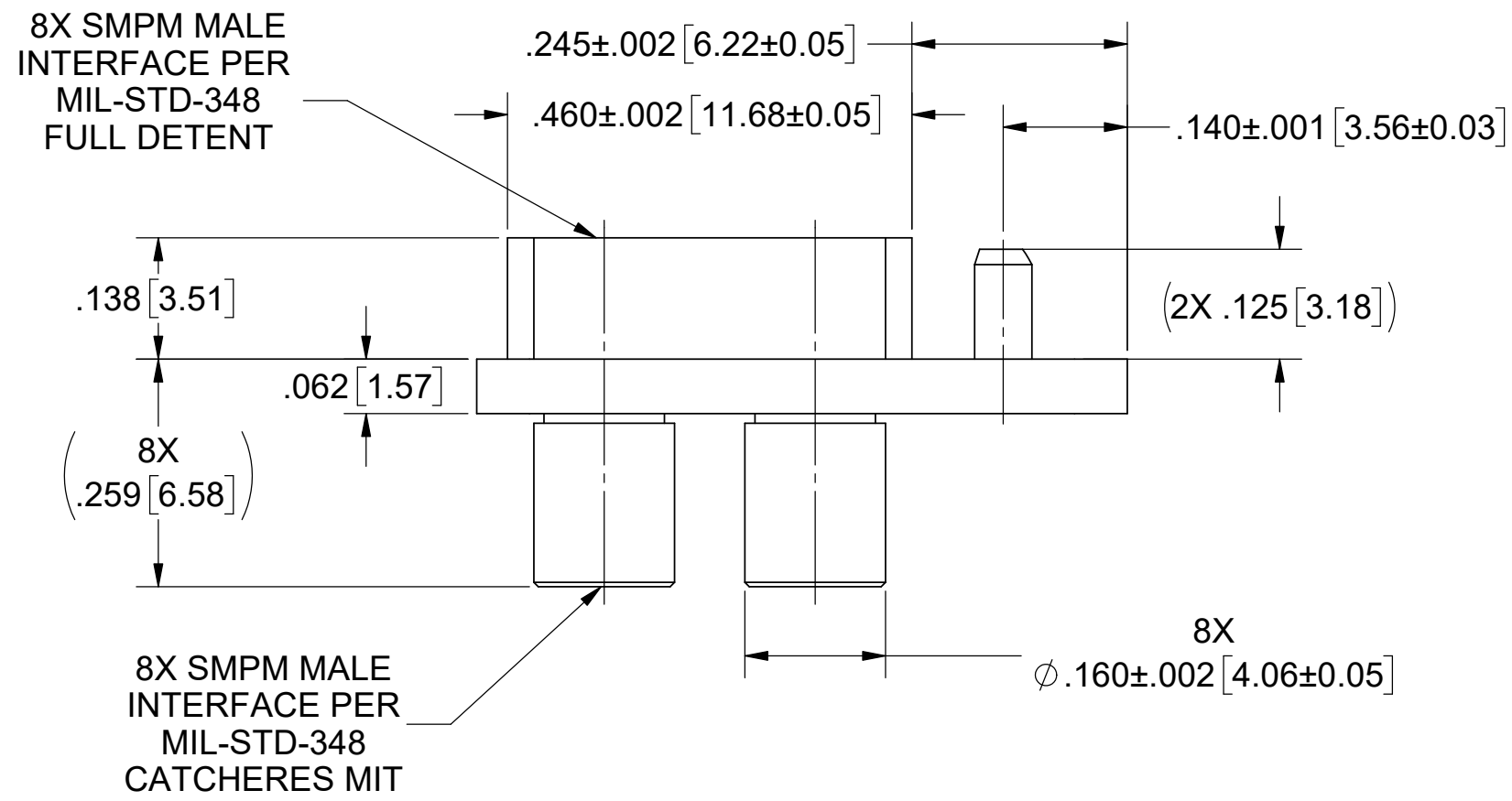


# PRODUCT DATA DRAWING

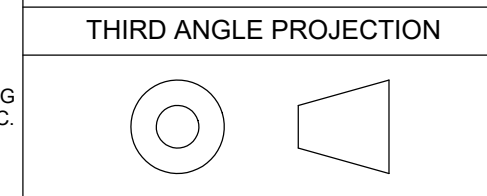
| REVISION HISTORY |             |       |          |
|------------------|-------------|-------|----------|
| REV.             | DESCRIPTION | DATE  | APPROVED |
| B                | DCN 48135   | 11/18 | STW      |



- MATERIAL:**  
**FLANGE:** STAINLESS STEEL PER AMS-5640, ALLOY UNS S30300, TYPE 1.  
**SPRING PINS:** STAINLESS STEEL PER ASTM A313, ALLOY UNS S30200, TYPE 302.  
**CONTACTS & SMPM BODIES:** BERYLLIUM COPPER PER ASTM B196, ALLOY No. UNS C-17300, TD04.  
**INSULATORS:** PTFE PER ASTM D1710, TYPE I, GRADE 1, CLASS B.  
**FINISH:**  
**FLANGE:** PASSIVATED PER AMS-2700.  
**CONTACTS & SMPM BODIES:** GOLD PER ASTM B488, TYPE II, CODE C, CLASS 1.27, OVER NICKEL PER AMS-QQ-N-290, CLASS 1, .00005" MIN.  
**PERFORMANCE:**  
**IMPEDANCE:** 50 OHMS  
**FREQ. RANGE:** DC TO 26.5 GHz  
**VSWR:** 1.50:1, MATED PAIR, DC TO 26.5 GHz  
**INSERTION LOSS:** .12 X SQRT(F IN GHz)  
**DWV:** 1000 VRMS  
**OPERATING TEMP.:** -55°C TO +125°C

**MATERIAL:** SEE NOTES  
**FINISH:** SEE NOTES  
**DO NOT SCALE DRAWING**  
**PROPRIETARY**  
THE INFORMATION CONTAINED IN THIS DRAWING IS THE SOLE PROPERTY OF SV MICROWAVE, INC. ANY REPRODUCTION IN PART OR AS A WHOLE WITHOUT THE WRITTEN PERMISSION OF SV MICROWAVE, INC. IS PROHIBITED.

DIMENSIONS ARE IN INCHES  
 TOLERANCES:  
 ANGULAR: ±1°  
 ONE PLACE DECIMAL ±.030  
 TWO PLACE DECIMAL ±.010  
 THREE PLACE DECIMAL ±.005  
 INTERPRET DIMENSIONS AND TOLERANCES PER ASME Y14.5M - 1994



UNLESS OTHERWISE SPECIFIED:  
 1. ALL DIMENSIONS ARE AFTER PLATING.  
 2. BREAK CORNERS & EDGES R.005 MAX.  
 3. CHAMFER 1ST AND LAST THREAD.  
 4. SURFACE ROUGHNESS 63 PER MIL-STD-10.  
 5. DIA'S ON COMMON CENTERS TO BE CONCENTRIC WITHIN .005 T.I.R.  
 6. REMOVE ALL BURRS.  
**THIRD ANGLE PROJECTION**  
**DRAWN:** JMC 02/09/11  
**CHECKED:** STW 02/10/11  
**APPROVED:** STW 02/10/11  
**E.M. SIMULATION:** N/A

**SV Microwave, Inc.**  
 2400 Centrepark West Drive, Suite 100  
 West Palm Beach, FL 33409  
**TITLE:**  
**VITA 67.2 BACKPLANE  
 8 PORT MODULE**  

|      |           |             |
|------|-----------|-------------|
| SIZE | CAGE CODE | DWG. NO.    |
| C    | 95077     | SF1132-6036 |

**SCALE:** 5:1  
**SHEET 1 OF 1**

# Mouser Electronics

Authorized Distributor

Click to View Pricing, Inventory, Delivery & Lifecycle Information:

[Amphenol:](#)

[SF1132-6036](#)